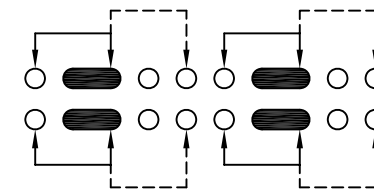
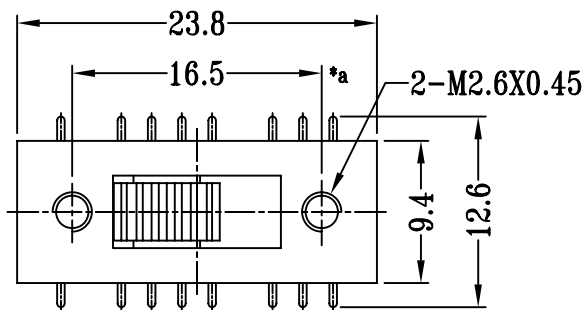
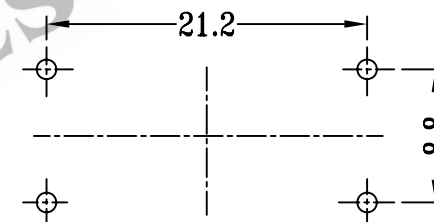
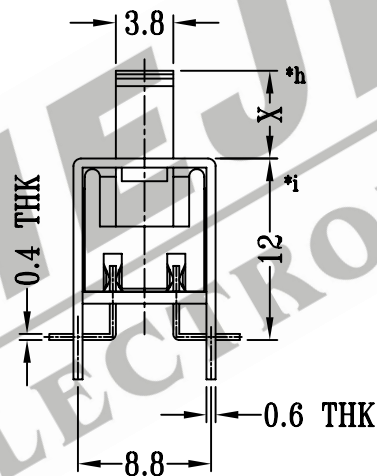
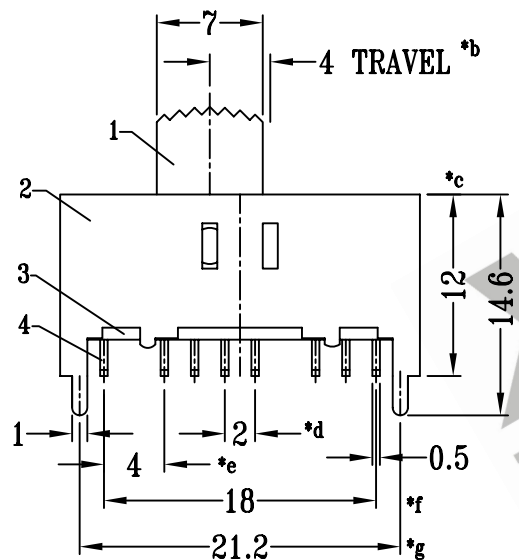


CAD FILE:



SCHMATIC (NON-SHORTING)



P.C.B LAYOUT

注:带"*"表示关键尺寸(9个)

				TOLERANCE UNLESS SPECIFIED		SHENZHEN XIEJIA ELECTRONICS CO.,LTD.				
				WITHIN: 1.5±0.1mm		ISSUE	DATE	DESCRIPTIONS		APPD.
				OVER : 1.5±0.2mm				TITLE : VERTICAL SLIDE SWITCH		
8								DRWG NO.: XJ-DR-SS42H28-00		
7	STEEL BALL	STEEL	2	NATURAL				DWN.	ZHOUYU	2003-7-23
6	SPRING	STEEL WIRE	1	TEMPER				CHK'D	FANGYING	2003-7-23
5	CONTACT CLIP	PBS STRIP	4	Ag PLATED				APPD.	KANGXINAN	2003-7-23
4	TERMINAL	BRASS STRIP	16	Ag PLATED OVER Ni PLATED	MODEL: SS-42H28		SCALE: 2:1			
3	BASE	PHENOLIC RESIN	1	NATURAL	ALL MATERIALS MUST BE COMPLIANT TO ROHS					
2	FRAME	STEEL STRIP	1	Ni PLATED						
1	KNOB	POM	1	BLACK						
NO.	PART NAME	MATERIAL	Q'TY	FINISHING						